

Fast Recovery Diodes ~ Capsule types

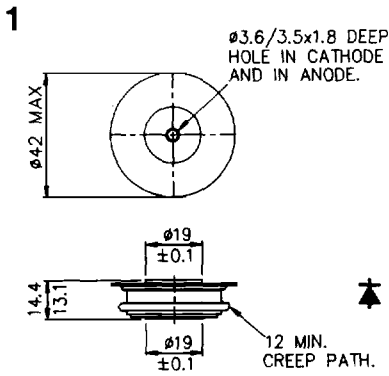
Type	V _{RRM} Range (Note 3) (V)	I _{F(AV)} @ T _{hs} 55°C (A)	I _{F(RMS)} @ T _{hs} 25°C (A)	I _F @ T _{hs} 25°C (A)	Typical Reverse Recovered Charge and Typical Reverse Recovery @ T _j Max. (50% Chord)				I _{FSM(1)} 10ms V _R ≤ 60% V _{RRM} (Note 2) (A)
					Q _{ra} (μC)	t _{rr} (μs)	I _{FM} (A)	di/dt (A/μs)	
SMxCXC100	1200-1800	337	673	554	68	1.0	1000	100	2450
SMxCXC115	1600-2800	233	458	400	180	3.0	1000	100	1860
SMxCXC134	1600-2500	350	690	580	173	2.80	1000	150	4250
SMxCXC144	1600-2800	370	742	624	255	2.80	550	150	4500
SMxCXC170	200-1400	440	880	730	56	2.30	550	40	4500
SMxCXC174	1200-2000	435	870	725	120	2.80	550	40	4500
SMxCXC176	1200-2000	434	870	725	120	2.80	550	40	4500
SMxCXC190	200-1600	760	1540	1245	41	1.50	550	40	9500
SMxHXC084	3000-4500	220	415	360	266	2.50	1000	150	2000
SMxHXC103	2500-3500	310	580	500	188	2.30	1000	100	4590
SMxHXC164	3000-4500	364	678	597	480	2.60	1000	150	4900
SMxHXC166	2000-3000	240	450	380	75	1.5	1000	100	3100
SMxCXC220	200-1600	860	1745	1404	105	2.30	800	50	10000
SMxCXC224	1400-2100	875	1760	1440	225	1.70	800	50	10000
SMxCXC274	4600-6000	710	1400	1200	1000	3.30	1000	200	8400
SMxCXC314	200-1600	1090	2175	1790	120	1.60	1000	200	13500
SMxCXC344	3000-4500	588	1104	948	315	3.50	1000	60	3955
SMxCXC364	3000-4500	660	1315	1110	263	3.00	1000	50	7620
SMxCXC374	3000-4500	736	1465	1240	953	3.80	1000	200	9000
SMxCXC474	2600-3600	864	1730	1437	548	2.80	1000	200	10000
SMxCXC524	1600-2500	956	1944	1552	338	2.00	1000	200	11700
SMxCXC724	200-2000	940	1900	1680	248	1.90	1000	200	14000
SMxCXC804	1800-2500	761	1540	1250	140	2.4	800	50	9000
SMxCXC334	1600-2500	1500	2807	2450	420	2.30	1000	200	17000
SMxCXC504	200-600	1830	3640	3070	225	1.50	1000	200	26000
SMxCXC574	4600-6000	1105	2185	1885	1500	4.50	1000	200	13000
SMxCXC604	3000-4500	1010	1880	1665	724	3.00	1000	200	9600
SMxCXC614	3000-4500	1160	2165	1910	600	5.30	1000	60	10800
SMxCXC624	3000-4500	1106	2185	1884	863	3.80	1000	200	13000
SMxCXC824	2600-3600	1243	2465	2108	698	2.90	1000	200	16400
SMxCXC915	1600-2600	1610	3026	2580	551	3.00	1000	200	17500
SMxCXC924	1600-2500	1496	2984	2506	280	3.70	1000	60	19600
SMxCXC394 Δ	3600-4500	1565	3080	2700	1500	4.5	1000	200	19700
SMxCXC864	3000-4500	1490	2755	2485	1125	4.10	1000	200	24800
SMxCXC968	1800-2500	2840	5300	4630	1650	4.40	1000	200	31800
SMxCXC384	3000-4000	2325*	4695*	3819*	1500*	5.5	1000	150	23000*
SMxCXC954	3600-4200	2640	4925	4315	1500*	5.5	1000	200	27520*
SMxCXC964	2500-3500	2700	4980	4545	1500	12.0	1000	150	27800
SMxCXC974	2000-3000	3775	7114	5990	1125	4.10	1000	60	44000

Δ New Product

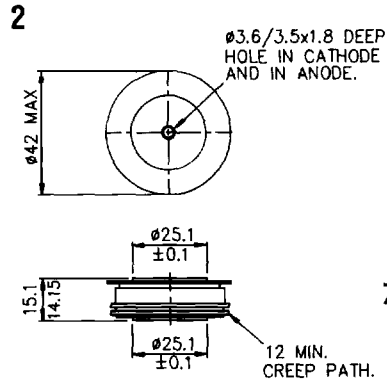
* Denotes up-rating

$I_{FSM(2)}$ 10ms $V_R \leq 10v$ (Note 2) (A)	$I^2t_{(2)}$ 10ms (Note 2) (A ² s)	I_{RRM} @ Tj Max. (mA)	V_o r @ Tj Max. (Note 1)		V_{FM} at I_{FM} @ Tj Max.		Tj Max. (°C)	Rth j-hs		Wt (typ.) (g)	Mounting Force (kgf)	Fig. No.	Type
			(V)	(mΩ)	(V)	(A)		d.c. 180° sine (KW)	120° Rect. (KW)				
2700	30 x 10 ³	20	1.46	0.80	1.97	635	125	0.090	0.095	70	330-550	1	CXC100
2050	20.9 x 10 ³	50	1.49	3.22	3.53	635	125	0.090	0.095	70	330-550	1	CXC115
4670	109 x 10 ³	20	1.21	1.20	1.97	635	125	0.090	0.095	70	330-550	1	CXC134
4950	122 x 10 ³	20	1.28	0.92	1.86	635	125	0.090	0.095	70	330-550	1	CXC144
4950	122 x 10 ³	20	1.02	0.70	1.46	635	125	0.090	0.095	70	330-550	1	CXC170
4950	122 x 10 ³	20	1.00	0.74	1.47	635	125	0.090	0.095	70	330-550	1	CXC174
4950	122 x 10 ³	20	1.00	0.74	1.47	635	125	0.085	0.090	80	365-1000	2	CXC176
10450	546 x 10 ³	50	1.13	0.38	1.70	1500	125	0.050	0.065	90	530-1000	2	CXC190
2200	24 x 10 ³	50	1.90	4.16	4.54	635	150	0.100	0.106	141	330-550	3	HXC084
5050	128 x 10 ³	50	1.49	2.06	2.80	635	150	0.100	0.106	141	330-550	3	HXC103
5400	146 x 10 ³	50	1.05	1.65	2.10	635	150	0.100	0.106	141	330-550	3	HXC164
3424	59 x 10 ³	50	2.01	3.33	4.12	635	150	0.100	0.106	141	330-550	3	HXC166
11000	605 x 10 ³	50	1.17	0.32	1.55	1200	125	0.044	0.055	340	1000-2000	4	CXC220
11000	605 x 10 ³	50	1.09	0.34	1.50	1200	125	0.044	0.055	340	1000-2000	4	CXC224
9240	0.427 x 10 ⁶	100	1.45	0.875	2.50	1200	125	0.033	0.040	340	1000-2000	4	CXC274
14900	1.10 x 10 ⁶	100	1.15	0.304	1.51	1200	125	0.033	0.040	340	1000-2000	4	CXC314
4350	94.6 x 10 ³	100	2.32	1.77	4.80	1400	150	0.033	0.040	340	1000-2000	4	CXC344
8470	359 x 10 ³	100	1.71	0.925	3.00	1400	125	0.033	0.040	340	1000-2000	4	CXC364
10000	500 x 10 ³	100	1.50	0.76	2.56	1400	125	0.033	0.040	340	1000-2000	4	CXC374
11000	605 x 10 ³	100	1.39	0.50	2.10	1400	125	0.033	0.040	340	1000-2000	4	CXC474
12870	830 x 10 ³	50	1.44	0.33	1.90	1400	125	0.033	0.040	340	1000-2000	4	CXC524
15400	1.19 x 10 ⁶	100	1.24	0.33	1.72	1450	125	0.033	0.040	340	1000-2000	4	CXC724
10000	500 x 10 ³	50	1.70	0.58	2.54	1450	125	0.033	0.040	340	1000-2000	4	CXC804
18700	1.75 x 10 ⁶	60	1.24	0.44	2.21	2200	150	0.022	0.028	510	1900-2600	5	CXC334
28600	4.09 x 10 ⁶	50	0.93	0.18	1.47	3000	125	0.022	0.028	510	1900-2600	5	CXC504
14300	1.02 x 10 ⁶	60	1.36	0.56	2.20	1500	125	0.022	0.028	510	1900-2600	5	CXC574
10600	0.56 x 10 ⁶	150	1.70	1.03	3.25	1500	150	0.022	0.028	510	1900-2600	5	CXC604
11900	0.71 x 10 ⁶	150	1.50	0.77	2.65	1500	150	0.022	0.028	510	1900-2600	5	CXC614
14300	1.02 x 10 ⁶	50	1.37	0.553	2.20	1500	125	0.022	0.028	510	1900-2600	5	CXC624
18000	1.62 x 10 ⁶	60	1.27	0.420	2.20	2200	125	0.022	0.028	510	1900-2600	5	CXC824
19300	1.86 x 10 ⁶	150	1.31	0.345	2.07	2200	150	0.022	0.028	510	1900-2600	5	CXC915
21560	2.32 x 10 ⁶	85	1.15	0.265	2.34	4500	125	0.022	0.028	510	1900-2600	5	CXC924
21700	2.35 x 10 ⁶	100	1.09	0.36	1.80	2000	125	0.018	0.022	1000	2700-3400	6	CXC394
27300	3.73 x 10 ⁶	150	1.38	0.71	2.80	2000	150	0.016	0.020	1000	2700-3400	6	CXC864
35000	6.10 x 10 ⁶	100	0.90	0.17	1.41	3000	150	0.016	0.020	1000	2700-3400	6	CXC968
25300*	3.19 x 10 ⁶	150	1.67*	0.186*	2.04*	2000	125	0.011	0.014	1700	2700-4700	7	CXC384
30270	4.58 x 10 ⁶	150	1.38	0.29	2.25	3000	150	0.011	0.014	1700	2700-4700	7	CXC954
30600	4.70 x 10 ⁶	150	1.00	0.33	3.00	6000	150	0.011	0.014	1700	2700-4700	7	CXC964
48400	11.7 x 10 ⁶	150	1.19	0.118	1.74	4700	150	0.011	0.014	1700	2700-4700	7	CXC974

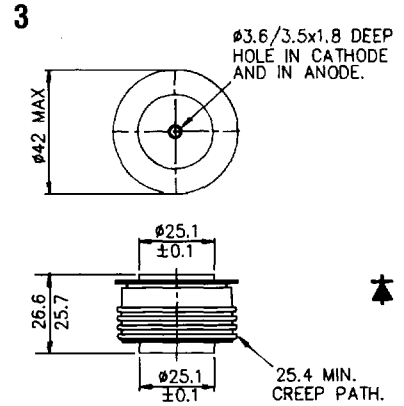
Fast Recovery Diodes ~ Outlines



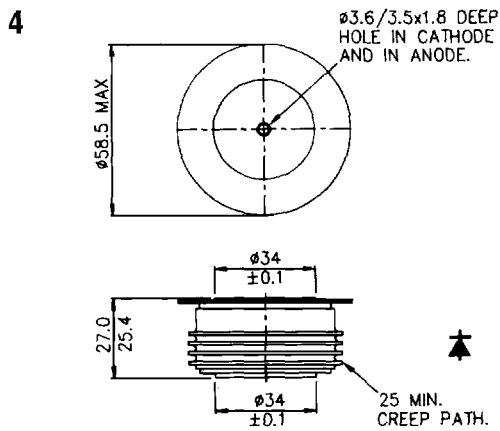
100A241



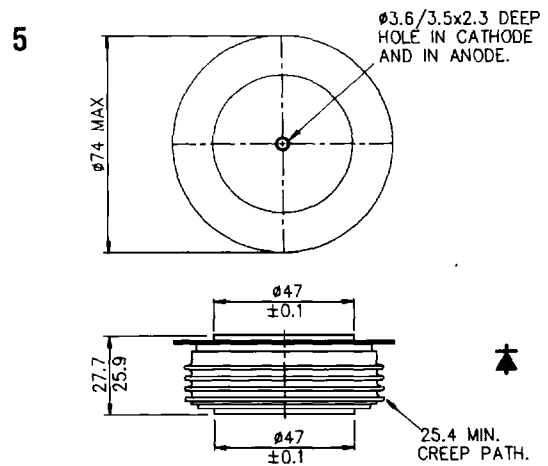
100A291



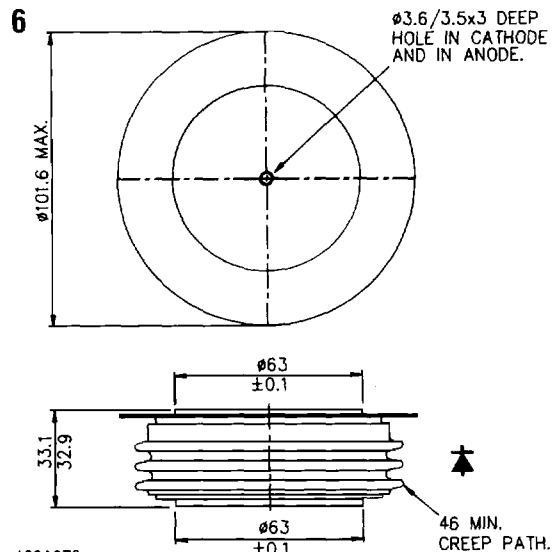
100A317



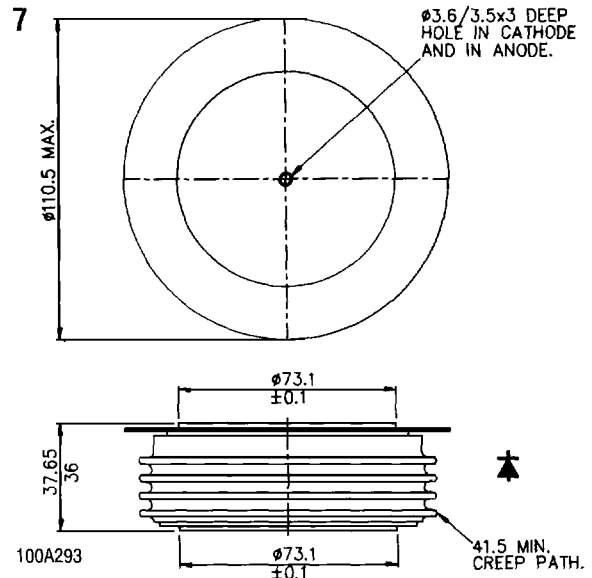
100A243



100A249



100A270



100A293